

Specifications

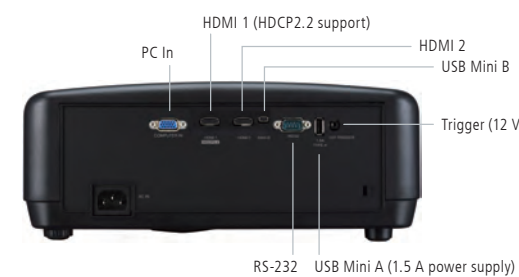
Device	0.47" DMD (1920 x 1080)	
Resolution	3840 x 2160	
Lens	1.6x manual zoom/focus lens; f=14.3 – 22.9 mm, F 1.809	
Lens shift	Manual; Vertical ±60%, Horizontal ±23%	
Projection display size	60 – 200 inch	
Light source lamp	NSH 240W; Lamp life: Approx. 4,000 hours (Normal mode), Approx. 10,000 hours (Eco mode)	
Brightness	2,000 lm	
Contrast ratio	Dynamic: 100,000:1	
Input terminals	HDMI	2 (HDCP2.2 x1, HDCP1.4 x1)
	PC	1 (D-sub 15pin)
Output terminals	USB Type A	1 (Power supply 5 V/1.5 A)
	Trigger	1 (Mini jack, 12 V/0.1 A)
Control terminals	RS232C	1 (D-sub 9pin)
	USB Type B (mini)	1 (for service)
Power consumption	370 W (Standby: 0.5 W)	
Fan noise	29 dB/33 dB (Eco/Normal)	
Power requirement	AC 100 – 240 V, 50/60 Hz	
Dimensions (W x H x D)	333 x 135 x 331.5 mm / 13-1/8" x 5-5/16" x 13-1/16"	
Weight	4.8 kg/10.56 lbs.	

Projection Distance Chart

Screen diagonal (inch)	Display size (16:9)				Projection distance			
	Width		Height		Wide		Tele	
(inch)	(inch)	(cm)	(inch)	(cm)	(inch)	(cm)	(inch)	(cm)
60	52	133	29	75	71	180	113	288
70	61	155	34	87	83	210	132	336
80	70	177	39	100	94	240	151	384
90	78	199	44	112	106	270	170	432
100	87	221	49	125	118	300	189	480
110	96	244	54	137	130	330	208	528
120	105	266	59	149	142	360	227	576
130	113	288	64	162	154	390	246	624
140	122	310	69	174	165	420	265	672
150	131	332	74	187	177	450	283	720
160	139	354	78	199	189	480	302	768
170	148	376	83	212	201	510	321	816
180	157	398	88	224	213	540	340	864
190	166	421	93	237	224	570	359	912
200	174	443	98	249	236	600	378	960

*Projection distances are design specifications accurate to ±5%.

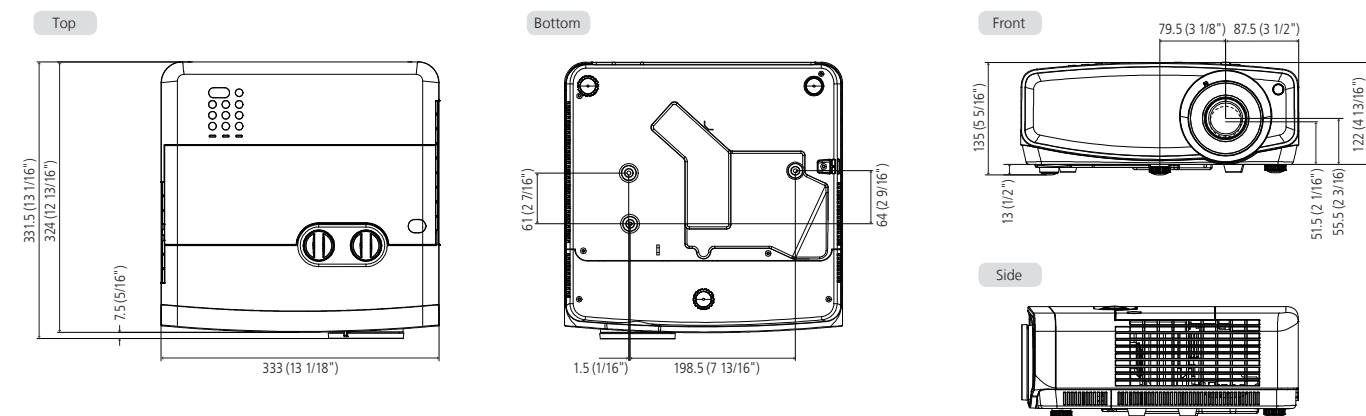
Connectors



Optional Accessory

Replacement Lamp: PK-L2417U

External Dimensions Unit: mm (inch)



• DLP is a registered trademark of Texas Instruments • HDMI, the HDMI logo and High-Definition Multimedia Interface are registered trademarks of HDMI Licensing LLC. • All other brand or product names may be trademarks and/or registered trademarks of their respective owners. • An additional payment is required for installation of the projector or a new lamp, if necessary. • All pictures in this brochure are simulated. • Design and specifications are subject to change without notice. • Any rights not expressly granted herein are reserved.

Copyright © 2018, JVCケンウッド株式会社. All Rights Reserved.



DISTRIBUTED BY

www.jvc.eu
www.jvc.net/asia

Printed in Japan
PJC-18009EJ

JVC is the trademark or registered trademark of JVCケンウッド株式会社.



Big-screen 4K home projector
with a space-saving design



High-performance 4K UHD/HDR home theatre projector with compact design and wide lens shift for easy installation

Video projectors have come a long way – and none more so than JVC’s new compact LX-UH1, which punches well above its weight, delivering vibrant 4K HDR images that are stunningly realistic. And there’s no need to pull the curtains thanks to its 2,000-lumen output. The LX-UH1 is ideal for all your broadcast, streaming and BD viewing.



LX-UH1B



LX-UH1W

LX-UH1

4K-resolution DLP Projector



- Dynamic contrast ratio: 100,000:1
- Brightness: 2,000 lm
- Compatible with HDMI standards (4K/60P 4:4:4) and HDCP 2.2
- Available in 2 colours (black and white)

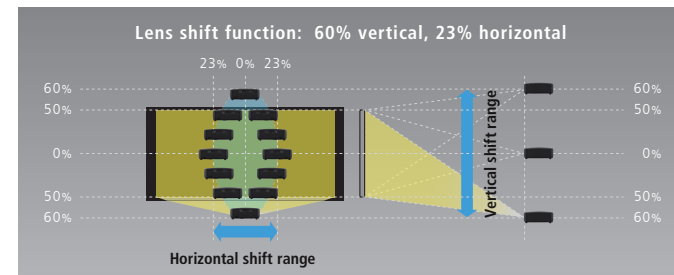
Easy Installation

Compact Design for Installation Convenience



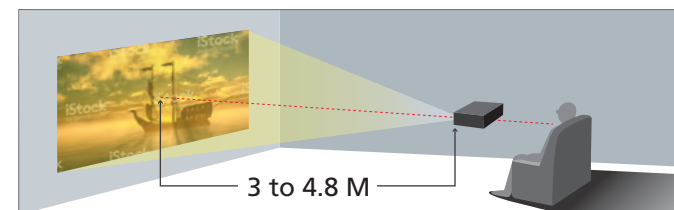
This small projector produces big 4K images despite its compact dimensions: just 33 cm by 33 cm, and less than 12.5 cm high. The space-saving LX-UH1 can thus be installed wherever is most convenient, hanging from the ceiling or placed on a shelf.

Wide Lens Shift Function: ±60% Vertical, ±23% Horizontal



A compact design facilitates projector installation – but if lens shift is insufficient it may require keystone adjustment, which can degrade picture quality. There are no such worries with the LX-UH1, however, as it features a wide lens shift: ±60% vertically and ±23% horizontally.

1.6x High-resolution Lens



The LX-UH1 features a 1.6-times zoom lens. For a typical 100-inch picture size, the projector would be installed between 3 and 4.8 metres from the screen – an added convenience when space is at a premium. Refer to Projection Distance Chart on the back of the brochure for more.

Top-tier Technologies

Newly Developed 0.47-inch DMD for Bright High-definition 4K Images

4K resolution (3840 x 2160 pixels) is four times full HD resolution. As 4K content rapidly becomes mainstream for broadcasting, streaming and optical discs, you can be sure that the LX-UH1 will make the most of it, providing a bright, vibrant picture with all the detail. Impressive colour reproduction almost makes you feel immersed in the scenes unfolding on the screen.



Bright Picture and 100% Coverage of Rec. 709



Viewing movies, broadcast and other content in a room that’s well lit can be difficult with a conventional projector. But despite its compact size, the LX-UH1 offers brightness of 2,000 lumens thanks to a highly efficient lamp system. And 100% coverage of the Rec. 709 gamut means you enjoy beautiful colour rendition.



100% Rec. 709 coverage



Without Rec 709 support

HDR (High Dynamic Range) for More Realistic Image



HDR image

High Dynamic Range (HDR) is a technology to accurately reproduce realistic, dynamic images in which finer gradations and colors are clearly visible, even in the lightest and darkest areas of the picture. The LX-UH1 supports both HDR10 for UHD BD content and Hybrid Log Gamma (HLG) for broadcast signals.



Conventional SDR image

Full 4K Support with HDCP2.2



The LX-UH1 is compatible with full-spec 4K input at 18Gbps throughput – supporting 4K/60p 4:4:4/36bit, 4K/60p 4:2:2/36bit, and 4K/24p 4:4:4/36bit signals – for more vivid colours and subtle gradations. What’s more, HDCP2.2 compatibility means that this projector supports the latest video-streaming services and copyright-protected content such as UHD Blu-ray discs.